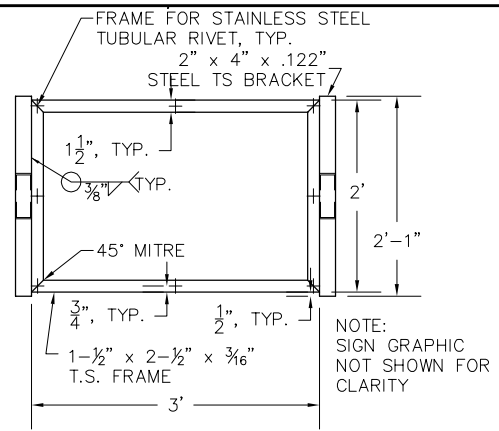
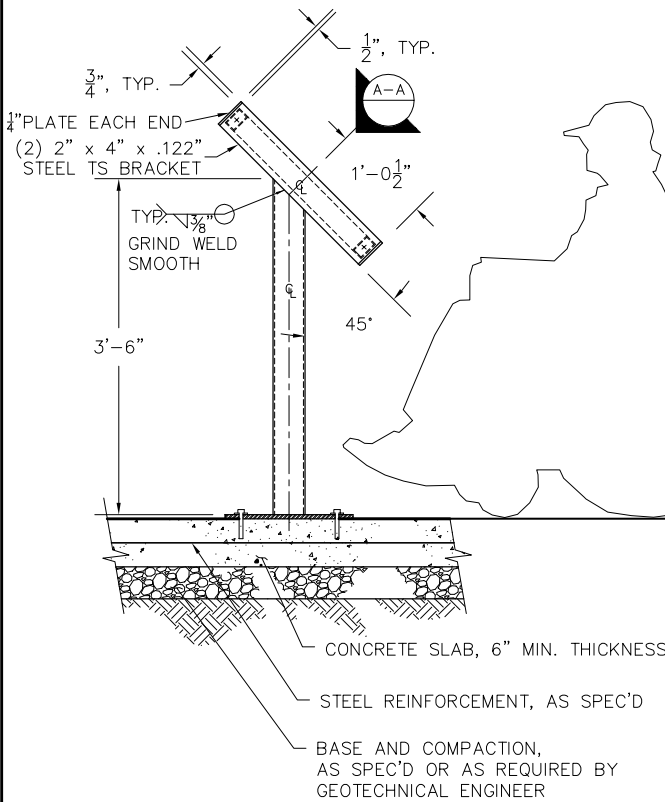


PLAN - BASE PLATE

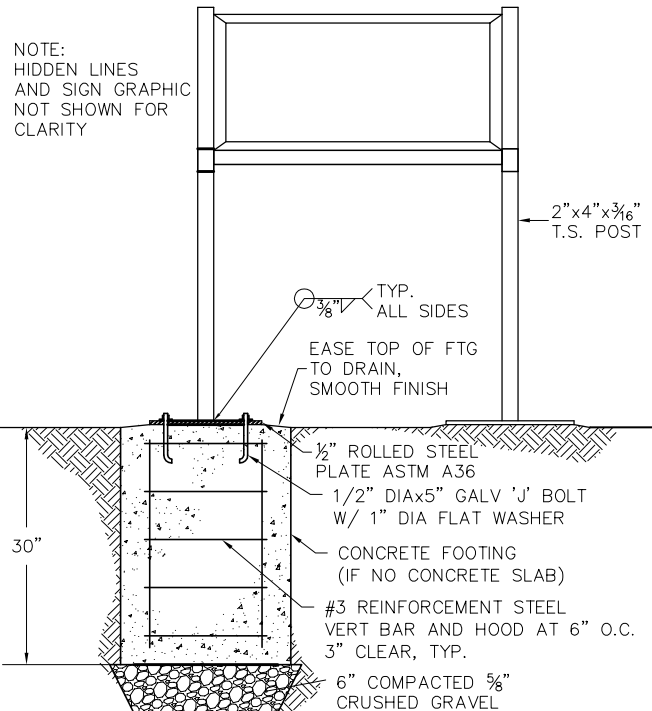


VIEW A-A

PLAN - FRAME ASSEMBLY



SIDE ELEVATION - SLAB



FRONT ELEVATION - FTG

NOTES:

- A. PROVIDE CUSTOM FABRICATED SIGN FRAME SHOWN OR PROVIDE PREFABRICATED "LOW PROFILE" SIGN AS MANUFACTURED BY PANNIER 1-800-544-8428, OR EQUIVALENT. PROVIDE SHOP DRAWINGS FOR FABRICATED SIGN FOR PREAPPROVAL.
- B. IF CUSTOM FABRICATED, ALL STEEL SHALL BE A36 STRUCTURAL UNLESS NOTED OTHERWISE.
- C. IF CUSTOM FABRICATED, ALL STEEL SHALL BE SAND-BLASTED CLEAN, AND PRE-WASHED WITH AN IRON PHOSPHATE POWDERWASH, DRIED, PRIMED WITH ZINC PRIMER, AND POWDER COATED BLACK AND BAKED AT 400 DEGREES FOR NO LESS THAN 45 MINUTES, UNLESS NOTED OTHERWISE.
- D. ALL FASTENERS SHALL BE GALVANIZED.
- E. MOUNT ONLY ON CONCRETE SLAB OR FOOTING.
- F. IF CUSTOM FABRICATED, ALL STEEL ELEMENTS SHALL BE CONSTRUCTED IN ACCORDANCE WITH AISC CODE OF STANDARD PRACTICE.
- G. SLAB AND FOOTING ARE SHOWN FOR REFERENCE ONLY. CONCRETE SLAB & FOOTING SIZE AND REINF. REQUIRE SITE SPECIFIC DESIGN.
- H. ALUMINUM SIGN BLANK & APPLIED VINYL GRAPHICS PROVIDED BY OWNER. ATTACH SIGN TO FRAME WITH STAINLESS STEEL 1/8" ϕ RIVETS.

PRAB APPROVAL 01/13/2010

PARKS AND RECREATION
DESIGN AND DEVELOPMENT
February 19, 2010

CITY OF BELLINGHAM
TRAILHEAD/INTERPRETIVE SIGN
Scale: 1/2" = 1'-0"

DRAWING
10430.06