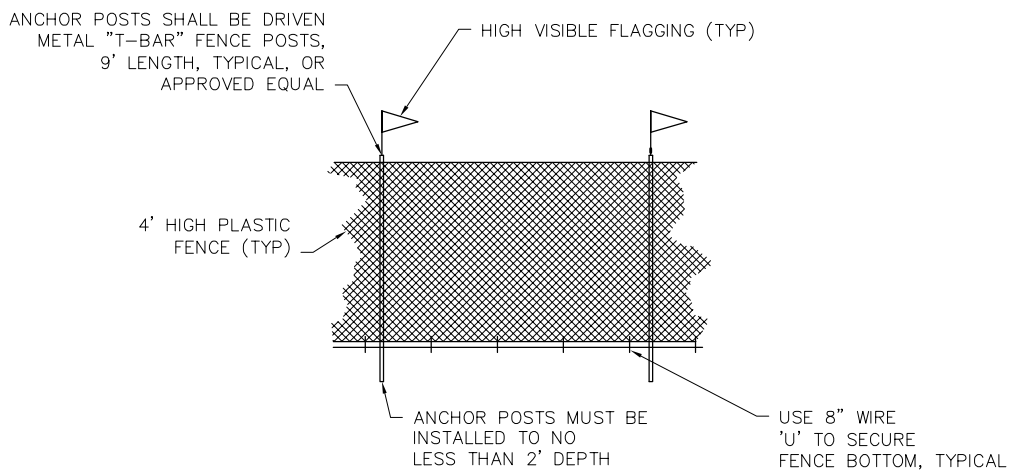


- NOTES: TREE PROTECTION FENCE – NON-SLOPED AREAS:
1. CHAIN LINK FABRIC TO BE MIN. 11 GAUGE, GALVANIZED. NO RUSTED OR EXCESSIVELY MALFORMED FABRIC.
 2. FENCE BASES SHALL BE OF SUFFICIENT WEIGHT and/or SPREAD TO ADEQUATELY SUPPORT EACH PANEL.
 3. PANEL-TO-PANEL CONNECTIONS SHALL BE MADE AT A MIN. TWO LOCATIONS PER CONNECTION UNLESS OTHERWISE APPROVED.
 4. TREE FENCES SHALL BE ERECTED AT THE DRIPLINE AROUND ALL TREES TO BE SAVED PRIOR TO THE START OF CONSTRUCTION.
 5. ALL TREE PROTECTION AREAS SHALL HAVE PROTECTIVE BARRIER FENCES ERECTED AT THE EDGES OF THE ROOT PROTECTION ZONES, AS SHOWN ON THE PLANS.
 6. NO GRADING, FILLING, OPERATION OF EQUIPMENT, MODIFICATIONS TO DRAINAGE, UTILITY TRENCHES, UNDER STORY REMOVAL, STOCKPILING, STORAGE, OR OTHER ACTIVITY SHOULD OCCUR WITHIN THE ROOT PROTECTION ZONES.

TREE PROTECTION FENCE – NON-SLOPED



- NOTES: TREE PROTECTION – SLOPED AREAS
1. PRIOR TO THE START OF CONSTRUCTION ALL TREE PROTECTION AREAS SHALL HAVE PROTECTIVE BARRIER FENCES ERECTED AT THE EDGES OF THE ROOT PROTECTION ZONES, OR AS SHOWN ON THE PLANS.
 2. THE FENCES SHALL BE MADE OF POLYETHYLENE AND SUPPORTED BY T-BAR METAL FENCE POSTS SPACED A MAXIMUM OF 8- FEET APART.

TREE PROTECTION FENCE – SLOPED

PARKS AND RECREATION
 DESIGN AND DEVELOPMENT
 DECEMBER 5, 2011

CITY OF BELLINGHAM
 TREE PROTECTION FENCE
 SCALE: NTS

DRAWING
 02950.06