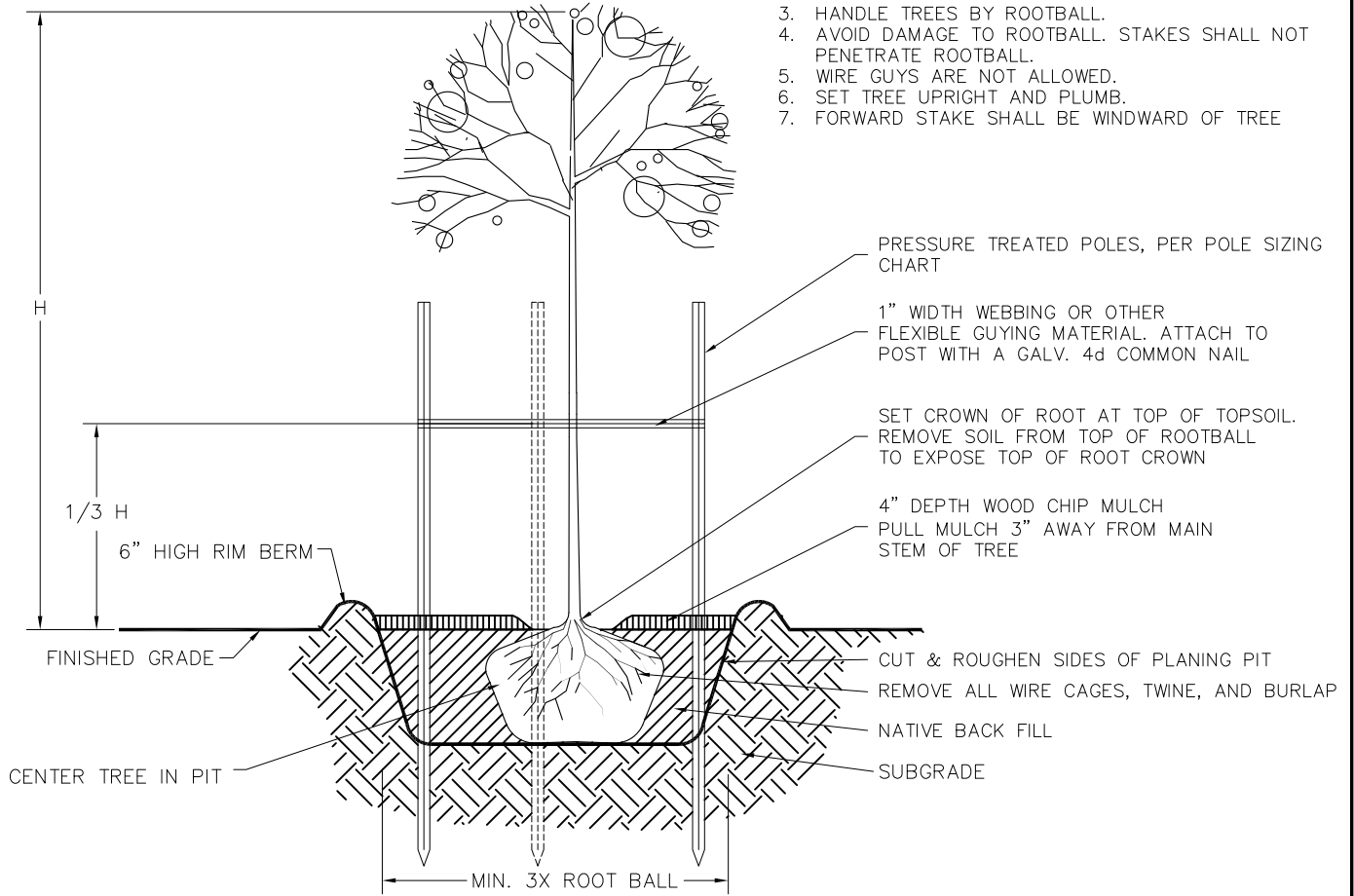


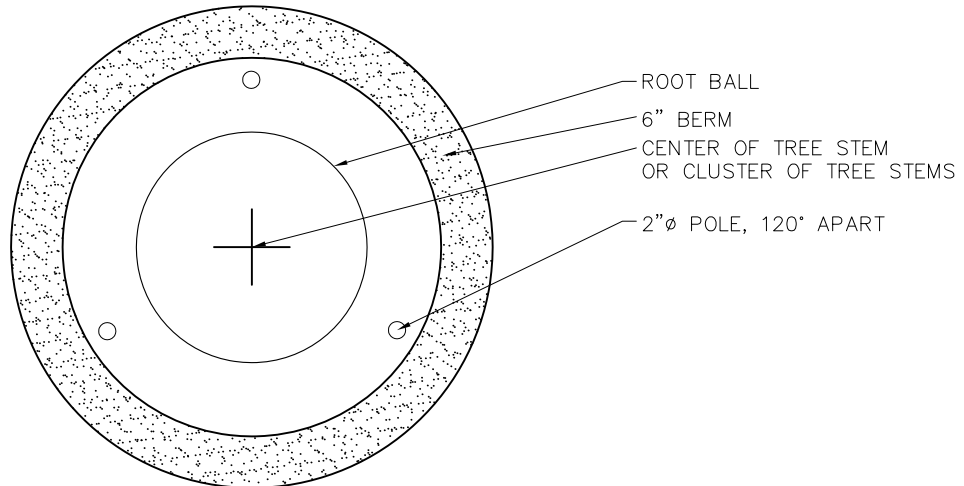
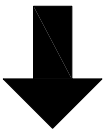
NOTES:

1. THIS DETAIL APPLIES TO DECIDUOUS AND CONIFEROUS TREE PLANTING IN AREAS THAT ARE SLOPED LESS THAN 10%.
2. LOWEST BRANCHING HEIGHT SHALL BE 6' ABOVE ROOT CROWN.
3. HANDLE TREES BY ROOTBALL.
4. AVOID DAMAGE TO ROOTBALL. STAKES SHALL NOT PENETRATE ROOTBALL.
5. WIRE GUYS ARE NOT ALLOWED.
6. SET TREE UPRIGHT AND PLUMB.
7. FORWARD STAKE SHALL BE WINDWARD OF TREE



SECTION – TREE PLANTING IN OPEN AREA

PREVAILING WIND



PLAN

PARKS AND RECREATION  
DESIGN AND DEVELOPMENT  
DECEMBER 19, 2011

CITY OF BELLINGHAM  
TREE PLANTING IN OPEN  
AREAS

DRAWING  
02950.01