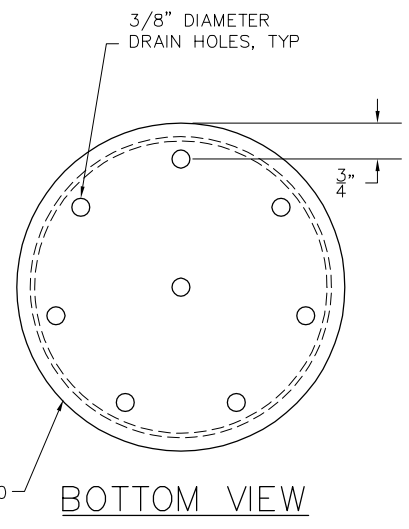


**ELEVATION VIEW
(CAP CLOSED)**



BOTTOM VIEW

- NOTES:
- A. RECEPTACLE SHALL BE MOUNTED ON STANDARD METAL STREET SIGN POST AT A HEIGHT AT TOP OF LID OF 42" ABOVE WALKING SURFACE.
 - B. LOCATION OF RECEPTACLE TO BE MARKED IN THE FIELD BY PARK PROJECT MANAGER.
 - C. SEE PARK STANDARD DETAIL 10430.11 FOR PET WASTE SIGN TO BE MOUNTED WITH BAG STATION.

**PARKS AND RECREATION
DESIGN AND DEVELOPMENT**
October 19, 2011

**CITY OF BELLINGHAM
CLEAN PET BAG HOLDER**
Scale: 3" = 1'-0"

**DRAWING
2870.05**